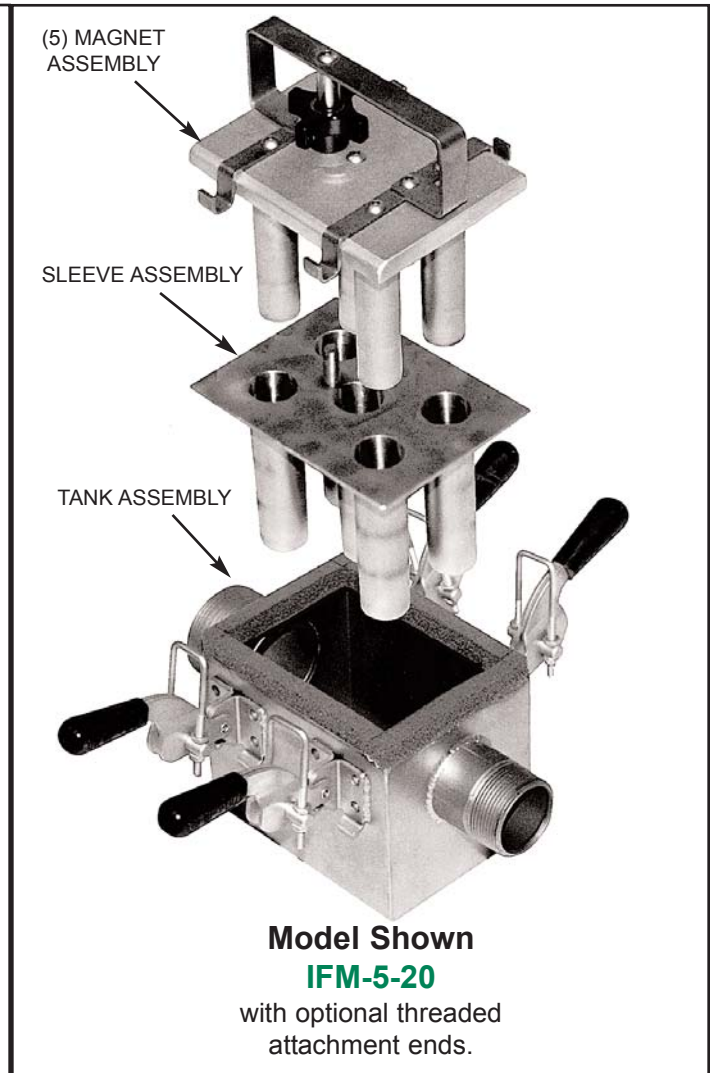
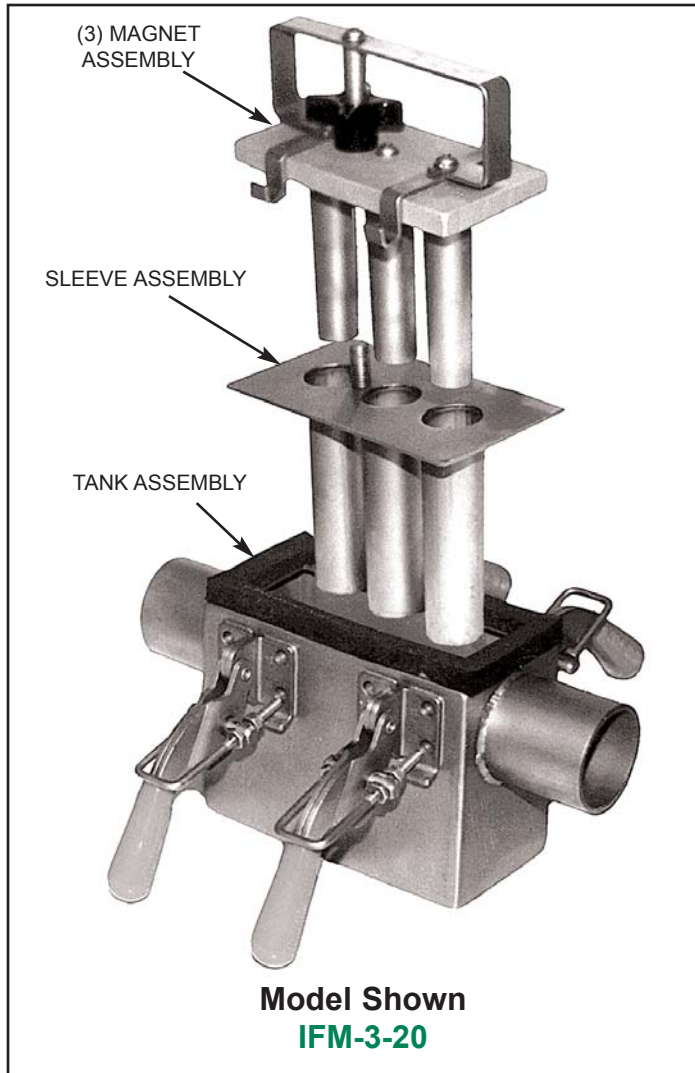




Inline Filter Magnet

Series: IFM



Application: MPI's INLINE FILTER MAGNETS (IFM Series) for fluid lines are designed to remove ferrous particles and metal fines from coolant flow systems, and adapts itself readily to fit both rigid and flexible coolant lines.

Inline Filter Magnets are easy to install and clean. They offer efficient, economical protection from metal contaminant prior to standard filters and/or coolant reservoirs.

Operation: The coolant stream flows through 3 rows (for Model IFM-3 or 5 rows (for Model IFM-5) of 1¼" dia. tubes, mounted on 2" centers, allowing ¼" of space between each tube. The stainless steel tubes act as "sleeves" for the magnet assembly, which features 1" dia. Rare Earth Neodymium-Iron-Boron magnetic material for optimum tramp metal retention. As coolant flows through the housing, metal contaminant are retained and moved to the backside of the magnetic tube, thus eliminating tramp metal "wash-off".

Got a question about Metal Control or Material Handling Products...

Ask the
Magnet Man



www.magnetmanusa.com

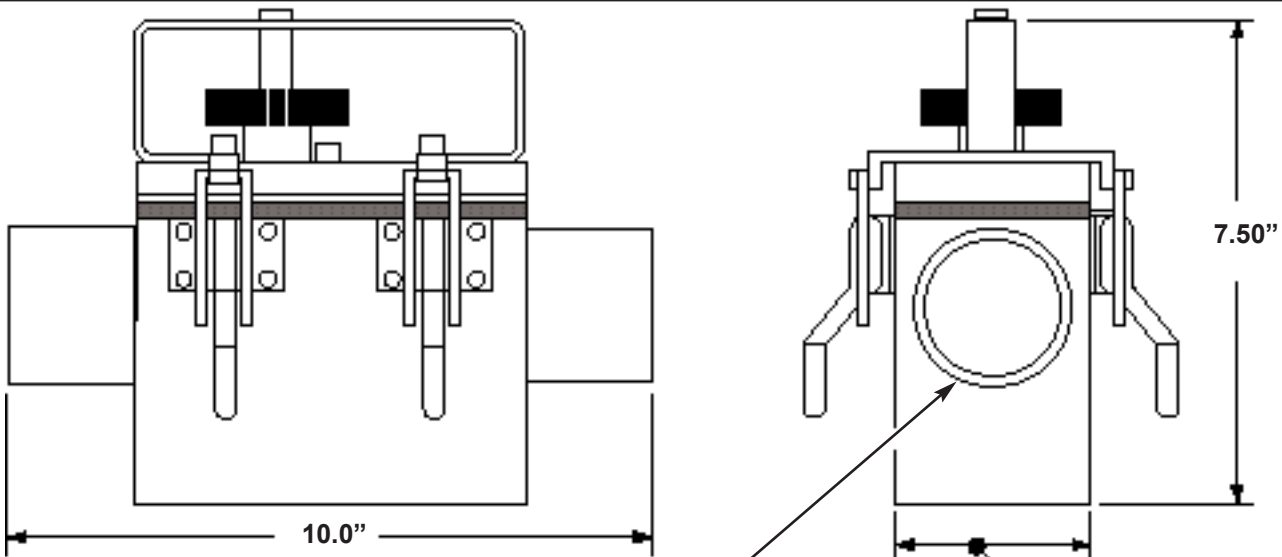
Magnetic Products, Inc.

Providing Magnetic Solutions for the
Material Handling Industry

800-544-5930



Providing Magnetic Solutions For the Material Handling Industry



Note: Specifications subject to change

Standard Tube O.D.s
1.5"
2.0"
2.5"
3.0"

3.0" Width for Model IFM-3
4.5" Width for Model IFM-5

IFM-3 MODEL NUMBERS	TUBE O.D.	NO. MAGNETIC ROWS
IFM-3-15	1.5"	3
IFM-3-20	2.0"	3
IFM-3-25	2.5"	3
IFM-3-30	3.0"	3

IFM-5 MODEL NUMBERS	TUBE O.D.	NO. MAGNETIC ROWS
IFM-5-15	1.5"	5
IFM-5-20	2.0"	5
IFM-5-25	2.5"	5
IFM-5-30	3.0"	5

Standard Features:

- Stainless Steel Heavy-Duty Latches
- Powerful Rare Earth permanent magnetic material
- Operating temperatures up to 250°F
- Seam welded 12 gage stainless steel liquid tight construction
- Closed cell gasket for positive sealing
- Star nut under handle holds magnet assembly in sleeve assembly

- Attachment ends are tubing

Optional Features:

- Custom magnetic designs
- Custom housing sizes for special applications
- NPT threaded attachment ends
- Tri-clamp ferrules
- For higher operating temperatures Samarium Cobalt magnetic material is available

-Custom Sizes & Configurations Available-

For more information, please contact your local sales representative or our customer service representatives at 1-800-544-5930 or info@mpimagnet.com.

Magnetic Products Inc.

P.O. Box 529 • 683 Town Center Dr. • Highland, MI • 48357

TOLL FREE: 800-544-5930 • 248-887-5600

FAX: 248-887-6100

EMAIL: info@mpimagnet.com

www.mpimagnet.com

DISTRIBUTED BY: