

SIDE WINDER BELTLESS MAGNETIC CONVEYORS

SWB-SERIES

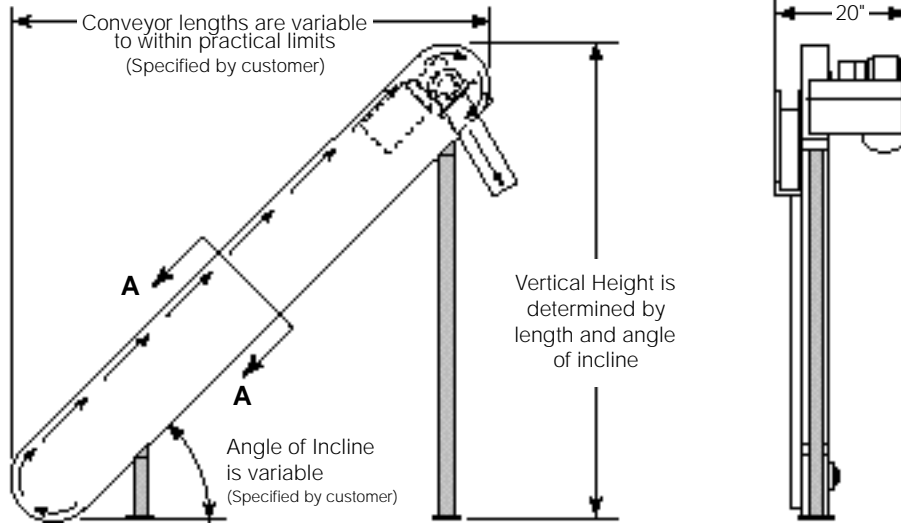
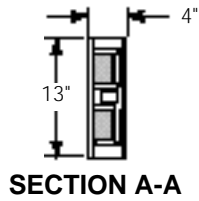
***Designed to remove fine metal cuttings
from coolant re-circulating streams***



Magnetic Products, Inc.

*Providing Magnetic Solutions
for the Material Handling Industry*

GENERAL SPECIFICATIONS:



SWB-Series Conveyor Selection Guide

As a leader in the development of material handling equipment MPI is committed to the continuous design and performance improvements of their products. This commitment to excellence is made to you with superior quality, workmanship, and assistance in selecting the right equipment for the job. For more information please call our customer service department. Please provide the following information with your inquiry. (FAX complete form to our fax number listed below).

<u>Company</u> _____	<u>Date</u> _____
<u>Name</u> _____	<u>Title</u> _____
<u>Phone</u> _____	<u>Fax</u> _____
<u>Address</u> _____	

Indicate Conveyor Length _____

Indicate Angle of Incline _____

Indicate Conveyor's Discharge Height _____

Indicate Conveyor's Infeed Height _____

Select Type of Magnet Material

- Ceramic (Standard) Neodymium-Iron-Boron

Indicate Drip Shield Configuration (if applicable)

Configuration _____

Select Drive Motor Package

- Direct Drive (½ H.P. 230/460 VAC 3 Phase) Standard
- Other _____
- Variable Speed

Select Support Legs

- Fixed Position Support Legs
- Adjustable Support Legs
- With Fixed Casters
- With Swivel Casters
- Without Casters

Tell us about the Size and Shape of Material to be Conveyed

Is Application Wet or Dry? (If wet describe liquid)

What is your Production Rate? _____

How will Material be fed into Conveyor?

Maximum Material & Coolant Temperature Ranges _____

Options



Magnetic Products Inc.

P.O. Box 529 • 683 Town Center Dr. • Highland, MI • 48357

TOLL FREE: **800-544-5930 • 248-887-5600**

FAX: **248-887-6100**

EMAIL: **info@mpimagnet.com**
 WEB: **http://www.mpimagnet.com**