



Inline Magnetic Tube

Series: *ILMT*



No tools required to operate quick release clamp for magnet cleaning

100% 304 stainless steel welded construction

Model Shown
ILMT-10-REN



EXPANDED VIEW

Application: MPI INLINE MAGNETIC TUBES (ILMT series) offer an economical yet effective way to protect products conveyed in dry bulk or liquid process lines from unwanted tramp metal contamination. Multiple ILMT magnets can be placed into a product process chute, spout or pipe to provide even greater magnetic filtration. ILMT magnets are an ideal solution for existing process lines that are not easily modified to accept conventional magnetic separation equipment such as Plate, Grate or Drawer magnets.

Operation: Installation of the ILMT magnet is quick & easy. Simply drill an access hole into the existing process line then weld the ILMT magnet housing in place. As product travels past the magnet Tube, tramp iron collects on the powerful Rare Earth permanent magnet now protruding into the process line. A quick release clamp on the magnet housing is included to enable quick removal & replacement of the magnet during regular inspection & cleaning.

Got a question about Metal Control or Material Handling Products...

Ask the
Magnet Man



www.magnetmanusa.com

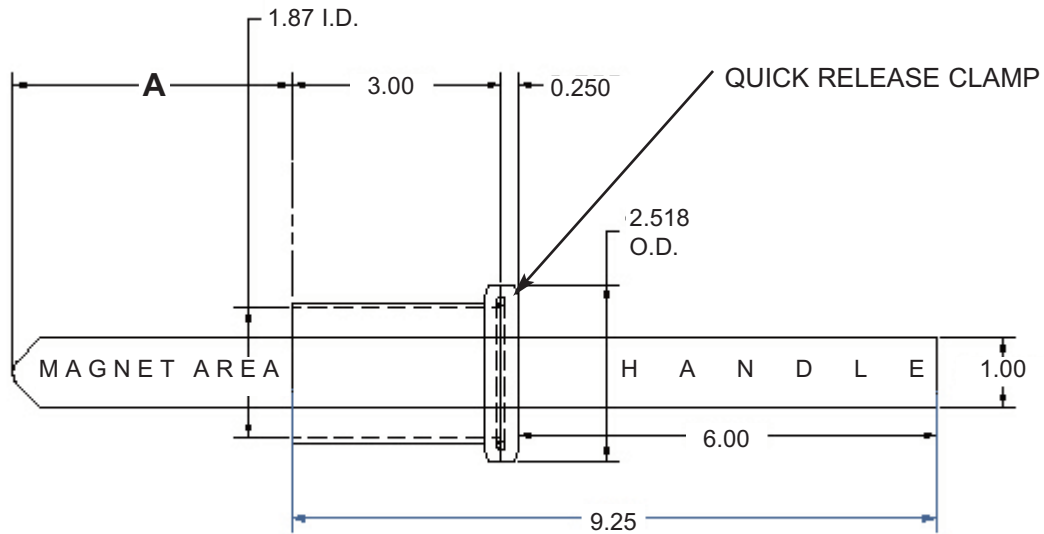
Magnetic Products, Inc.

Providing Magnetic Solutions for the
Material Handling Industry

800-544-5930



**Providing Magnetic Solutions
For the Material Handling Industry**



Note: Specifications subject to change

Inline Magnetic Tube Selection

Model	ILMT-04-REN	ILMT-06-REN	ILMT-08-REN	ILMT-10-REN	ILMT-12-REN
A	4 inches	6 inches	8 inches	10 inches	12 inches

Standard Features:

- 100% 304 stainless steel welded construction
- Powerful Rare Earth permanent magnet
- Available in standard sizes from 4" – 12" long
- No tools required to operate quick release clamp for magnet cleaning

Optional Features:

- 316-L stainless steel construction
- Synergistic coated magnetic Tube for abrasive and/or sticky products
- AAA sanitary welded construction
- Non-standard magnet tube lengths to fit any size application

-Custom Sizes & Configurations Available-

For more information, please contact your local sales representative or our customer service representatives at 1-800-544-5930 or info@mpimagnet.com.

Magnetic Products Inc.

P.O. Box 529 • 683 Town Center Dr. • Highland, MI • 48357

TOLL FREE: 800-544-5930 • 248-887-5600

FAX: 248-887-6100

EMAIL: info@mpimagnet.com

www.mpimagnet.com

DISTRIBUTED BY: