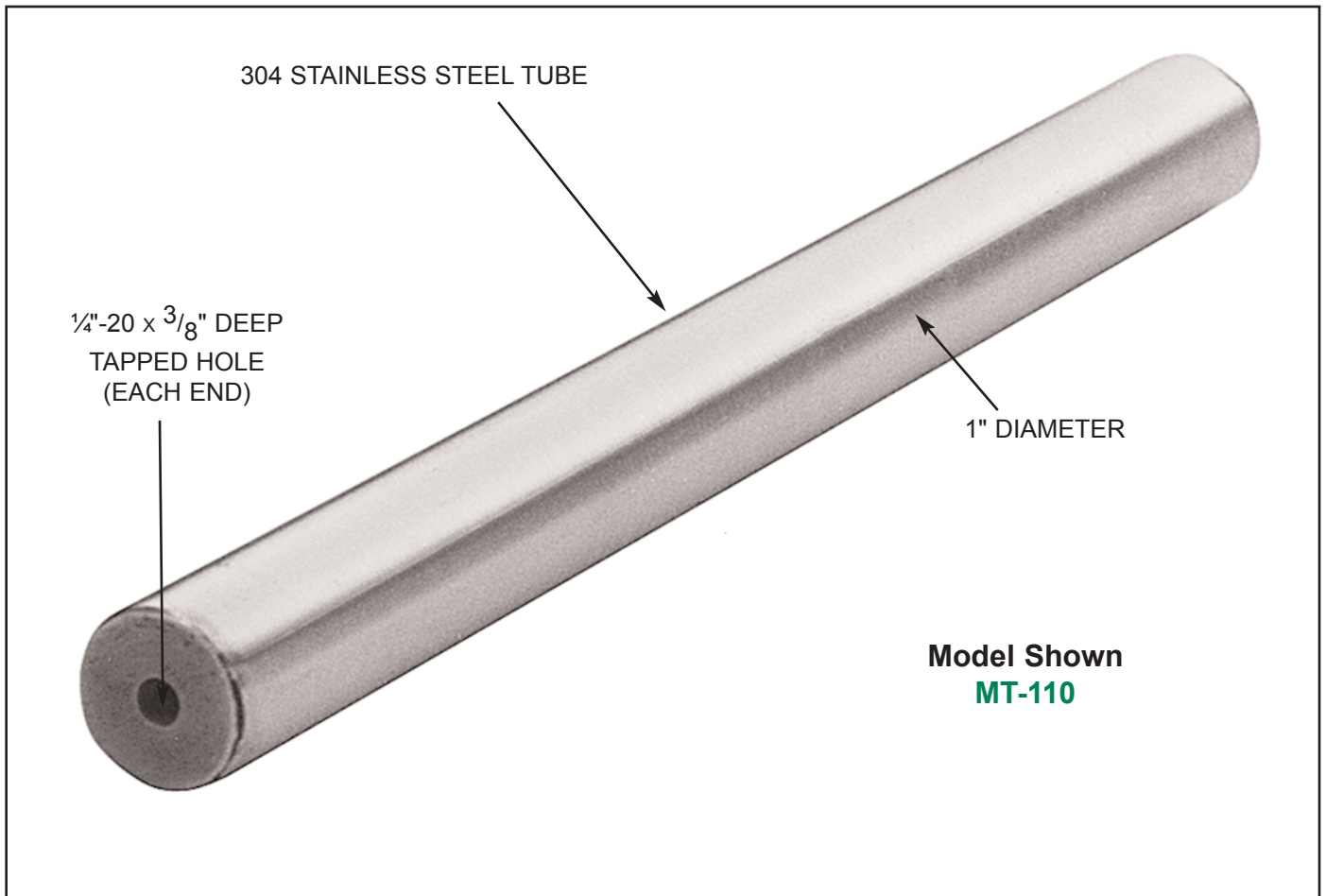




# Magnetic Tubes

Series: MT



**Application:** MPI's MAGNETIC TUBES (MT Series) are commonly used to remove small to medium size ferrous tramp metal contaminant from a variety of product streams. Typical uses include removing metallic grit from hydraulic reservoirs to minimize wear on the machine's seals and bushings. Another typical use is for removing unwanted ferrous contaminant's in food and chemical processing systems, thus improving product quality standards.

**Operation:** The product stream flows around one or more 1" diameter magnetic tubes located within the product stream that are attached to their housing via

the tapped end holes. As tramp metal contaminants are captured, they move to the underside of the tubes, eliminating tramp metal "wash-off".

MT Series magnetic tubes are easy to install and clean. They offer an efficient and economical ferrous metal filtration protection of your processing equipment.

The tubes may be used as individual units or part of multiple row arrangements, such as 2 row, 3 row, or 4 row. And when using a multiple row arrangement the tube rows should be on 2" centers with the rows staggered for maximum magnetic separation.

Got a question about Metal Control  
or Material Handling Products...

Ask the  
**Magnet  
Man**



[www.magnetmanusa.com](http://www.magnetmanusa.com)

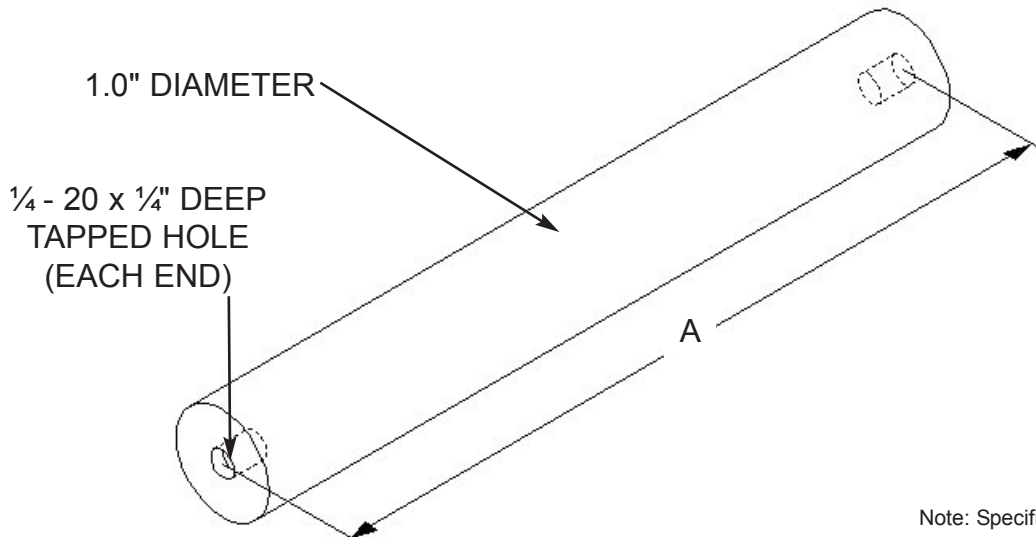
## Magnetic Products, Inc.

Providing Magnetic Solutions for the  
Material Handling Industry

800-544-5930



**Providing Magnetic Solutions  
For the Material Handling Industry**



Note: Specifications subject to change

**MT-SERIES SELECTION GUIDE**

MT MODEL NUMBER	TUBE LENGTH "A"		APPROX. UNIT'S WEIGHT	
	IN.	MM	LBS.	KG
MT-104	4.0	102	.75	.3
MT-106	6.0	152	1.12	.5
MT-108	8.0	203	1.50	.7
MT-110	10.0	254	1.87	.9
MT-112	12.0	305	2.24	1.0
MT-114	14.0	356	2.62	1.2
MT-116	16.0	406	2.99	1.4
MT-118	18.0	457	3.37	1.5
MT-120	20.0	508	3.74	1.7
MT-122	22.0	559	4.11	1.9
MT-124	24.0	610	4.49	2.0

**Standard Features:**

- Powerful Ceramic magnet material
- Complete seam welded tube ends
- 304 Stainless Steel tube
- 1/4" - 20x 3/8" tapped mounting holes

**Optional Features:**

- High energy rare earth magnet material

- Non-standard alloy stainless steel enclosures
- Custom tapped mounting holes
- Custom tube lengths
- Quick-Clean designs
- Heavy-duty designs available for receiving area applications
- High temperature magnet materials
- Abrasion resistance coatings

**-Custom Sizes & Configurations Available-**

For more information, please contact your local sales representative or our customer service representatives at 1-800-544-5930 or info@mpimagnet.com.

**Magnetic Products Inc.**

P.O. Box 529 • 683 Town Center Dr. • Highland, MI • 48357

TOLL FREE: 800-544-5930 • 248-887-5600

FAX: 248-887-6100

EMAIL: info@mpimagnet.com

www.mpimagnet.com

DISTRIBUTED BY: