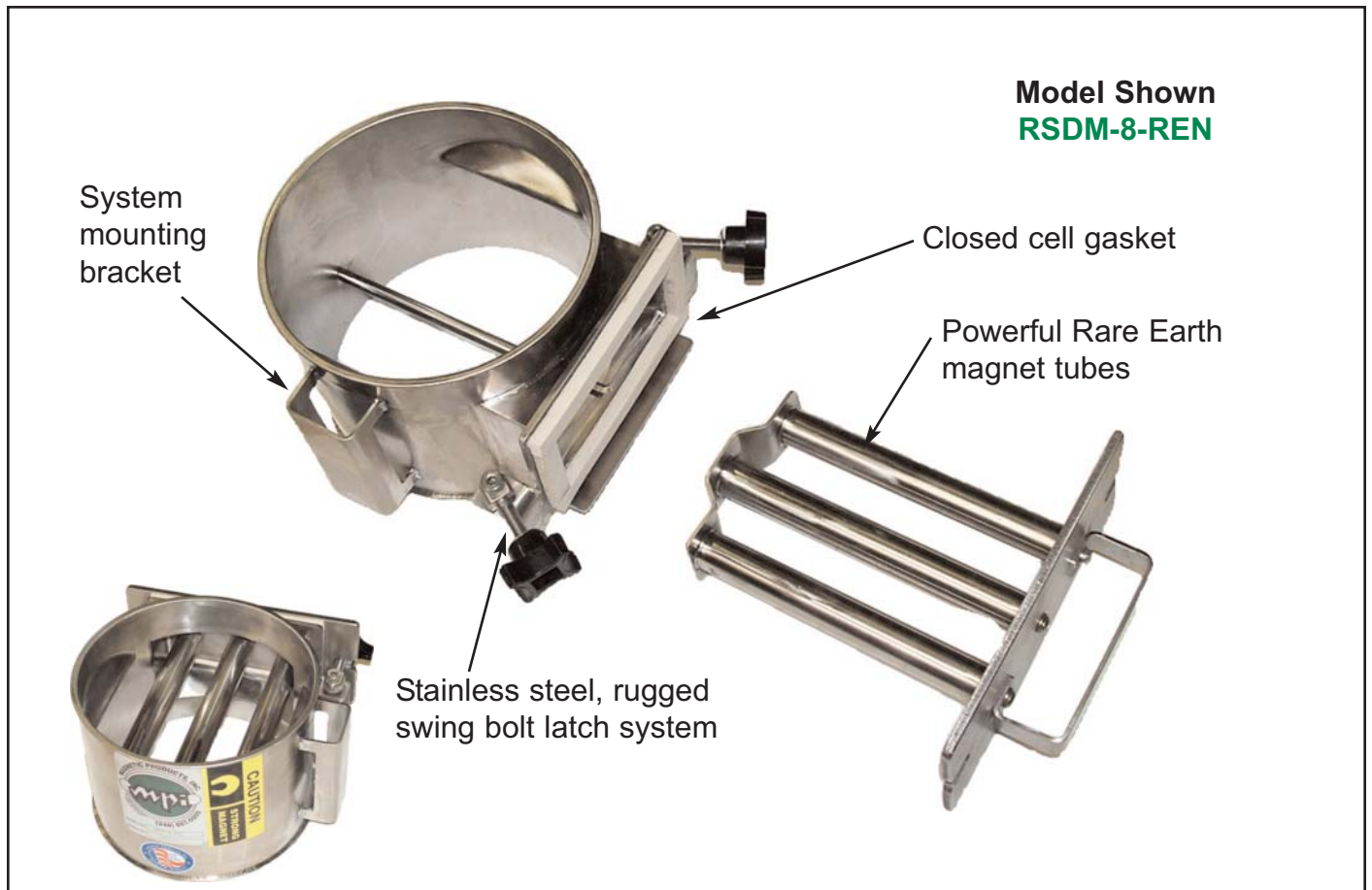




# Round Spout Drawer Magnet

Series: RSDM



**Model Shown  
RSDM-8-REN**

**Application:** MPI's Round Spout Drawer Magnets (RSDM series) are designed to remove medium and small size ferrous tramp metal containment's from dry, granular, free flowing product streams in round gravity-fed vertical chutes and spouts.

The RSDM series offers an easy and economical solution for protecting processing equipment and providing greater product purity. It is an ideal product for sifter and screener discharge spouts eliminating the need for mounting transitions or flanges.

**Operation:** The Product stream flows through one or two tiers (Depending on model selection) of 1" diameter magnetic tubes designed to create an extremely effective magnetic circuit. The two row units have magnetic tubes staggered to prevent bridging or choking of the product stream and maximize magnetic filtration as product flows through the housing. Tramp metal containment's move to the underside of the magnetic tubes eliminating tramp metal "wash off". The front door panel with magnetic tubes attached can be quickly unlatched, removed and cleaned outside the product flow area.

Got a question about Metal Control  
or Material Handling Products...

Ask the  
**Magnet  
Man**



[www.magnetmanusa.com](http://www.magnetmanusa.com)

## Magnetic Products, Inc.

Providing Magnetic Solutions for the  
Material Handling Industry

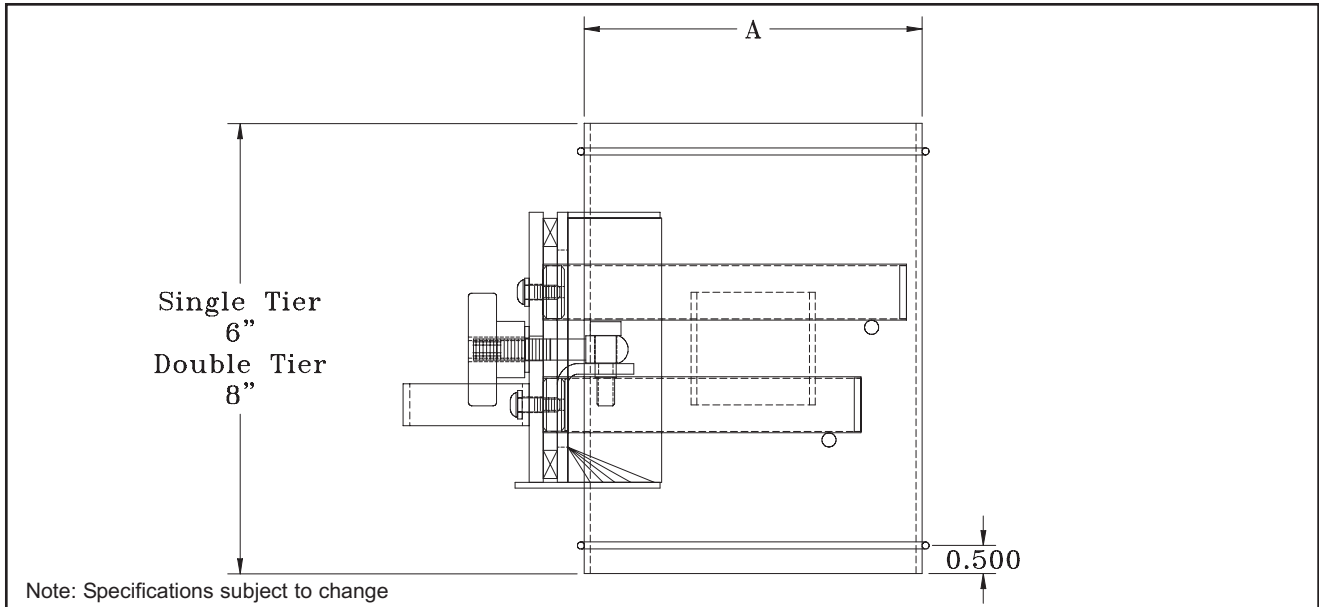
800-544-5930



# Providing Magnetic Solutions For the Material Handling Industry

**CAUTION:**

PRODUCT BRIDGING AND EVENTUAL CHOKING CAN OCCUR IF FLOW CHARACTERISTICS ARE NOT CONSIDERED!



## Round Spout Drawer Magnet Selection

Model	Product Flow Area		# of tubes	A	Model	Product Flow Area		# of tubes	A
					RSDM2-04-REN	12 in. <sup>2</sup>	81 cm. <sup>2</sup>	2	4"
RSDM-06-REN	19 in. <sup>2</sup>	121 cm. <sup>2</sup>	2	6"	RSDM2-06-REN	19 in. <sup>2</sup>	121 cm. <sup>2</sup>	3	6"
RSDM-08-REN	25 in. <sup>2</sup>	162 cm. <sup>2</sup>	3	8"	RSDM2-08-REN	25 in. <sup>2</sup>	162 cm. <sup>2</sup>	5	8"
RSDM-10-REN	31 in. <sup>2</sup>	202 cm. <sup>2</sup>	4	10"	RSDM2-10-REN	31 in. <sup>2</sup>	202 cm. <sup>2</sup>	7	10"
RSDM-12-REN	38 in. <sup>2</sup>	243 cm. <sup>2</sup>	5	12"	RSDM2-12-REN	38 in. <sup>2</sup>	243 cm. <sup>2</sup>	9	12"

**Standard Features:**

- Stainless Steel Construction
- Powerful Rare Earth magnet material
- One or two rows of seam-welded 1" dia. magnet tubes
- Integral support mount

**Options:**

- Ceramic 8 magnet material
- Non-standard housing flange connections
- Non-standard alloy stainless steel construction
- Non-standard magnetic tube spacing

## -Custom Sizes & Configurations Available-

For more information, please contact your local sales representative or our customer service

representatives at 1-800-544-5930 or [info@mpimagnet.com](mailto:info@mpimagnet.com).

### Magnetic Products Inc.

P.O. Box 529 • 683 Town Center Dr. • Highland, MI • 48357

TOLL FREE: 800-544-5930 • 248-887-5600

FAX: 248-887-6100

PRODUCT BULLETIN GROUP: 102  
SERIES: RSDM, REV. 5/05  
© COPYRIGHT 1995 MPI

EMAIL: [info@mpimagnet.com](mailto:info@mpimagnet.com)  
[www.mpimagnet.com](http://www.mpimagnet.com)

DISTRIBUTED BY:

